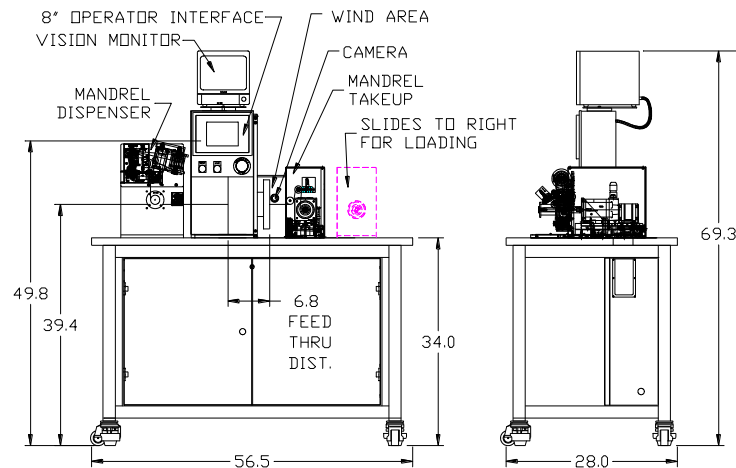


Continuous Coil Winder Specifications



SPECIFICATIONS:

- INPUT POWER: 208-240 VAC, single phase, 50/60 Hz. Full load 16A, 20A service
- WEIGHT: 800 pounds
- DIMENSIONS: L x W x H = 56.5" x 28" x 70"
- MANDREL SIZE: .001 to .025" diameter
- FILAMENT SIZE: .0004" to .008" round or ribbon, metal or plastic
- WIND SPEED: 1,500 filament RPM (higher speeds may be possible)
- FILAMENT TENSION: Programmable closed-loop 0 to 80 grams
- MANDREL TENSION: Programmable .1 to 80 grams with +/- .2 gram resolution
- MANDREL LENGTH: Continuous limited by spool size
- ANGLE CONTROL: Vision control +10 / -30 degrees with +/- 0.15 degree resolution
- COMPLIANCE: Built to CE and NFPA 79 standards
- OPTIONS: The angle control and second filar systems are optional

FEATURES:

- Winds stacked or loose (variable or fixed pitch) coils around a non-rotating mandrel.
- Mandrel takeup position can be adjusted in a range of 6" to access the wind area.
- Up to 300 process recipes can be stored and accessed by the operator.
- Recipe edit menu allows up to 20 repeating combinations of any pitch, angle, direction, speed, tension and length.
- Recipe steps can specify ramping of pitch and angle between set points.
- Displays of parameter set points and actual values.
- Records of mean & 2xSTD deviation of all measured variables on each wind.
- Filament slack control that maintains tension at all wind speeds.
- Single filar system expandable to 2-filar.
- Brushless servos on filament rotation and mandrel takeup drives.
- Alphanumeric color touchscreen display for program entry and status displays.
- Acrylic enclosure panels isolate the winder operation.
- Ethernet communication for remote monitoring & program update capability.
- CRT B/W monitor display of vision-based angle measurement.

- Specifications are subject to change without notice

