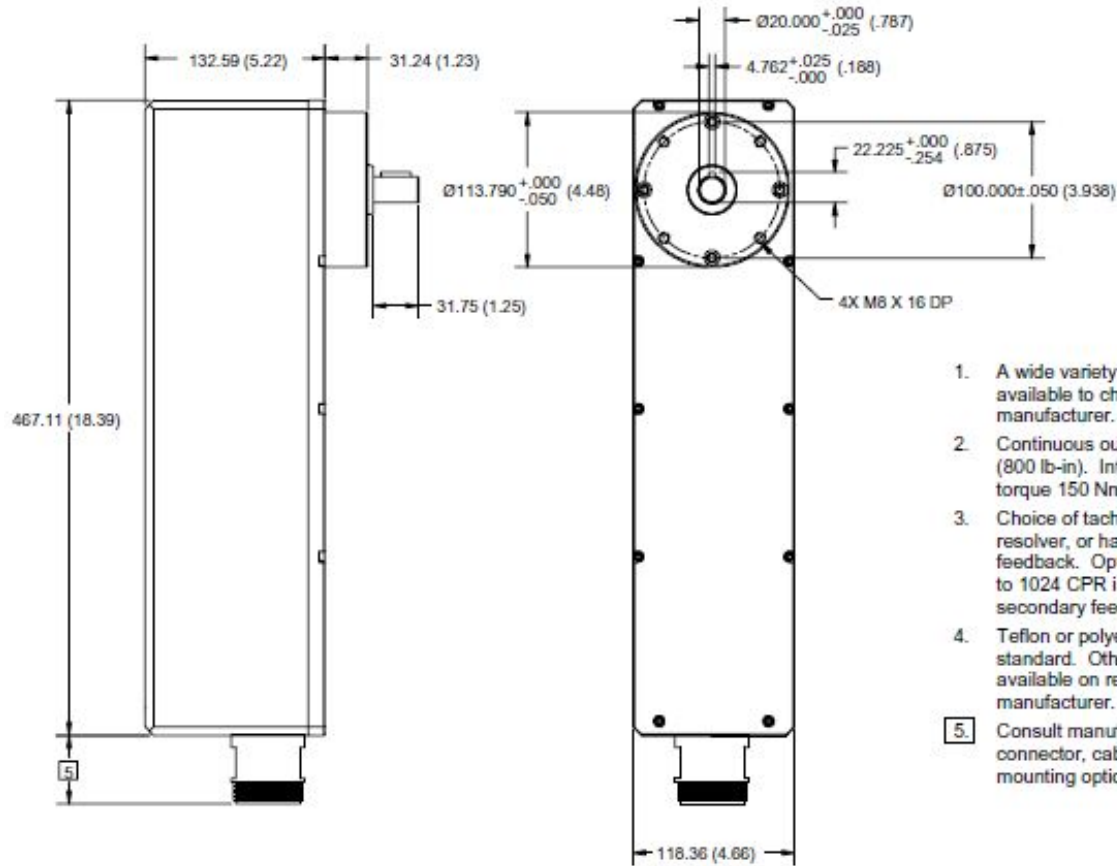
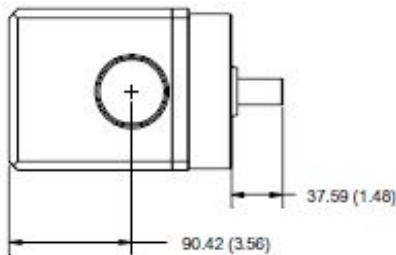


## ORCA MOTOR DIMENSIONAL OUTLINES:



1. A wide variety of gear ratios are available to choose from. Consult manufacturer.
2. Continuous output torque 90 Nm (800 lb-in). Intermittent output torque 150 Nm (1328 lb-in).
3. Choice of tachsyn, frameless resolver, or hall sensor primary feedback. Optical encoder with up to 1024 CPR is available as secondary feedback option.
4. Teflon or polyethylene seal is standard. Other seal materials are available on request. Consult manufacturer.
5. Consult manufacturer for connector, cabling, and additional mounting options.



Dimensions are in mm (in.).  
 Dimensions with no tolerance indicated are as follows:

For Dimensions:	Tolerance:
Less than or equal to 6 mm	+/- 0.1mm (.0039 in.)
Less than or equal to 30 mm	+/- 0.2mm (.0079 in.)
Less than or equal to 120 mm	+/- 0.3mm (.0118 in.)

- Specifications are subject to change without notice.