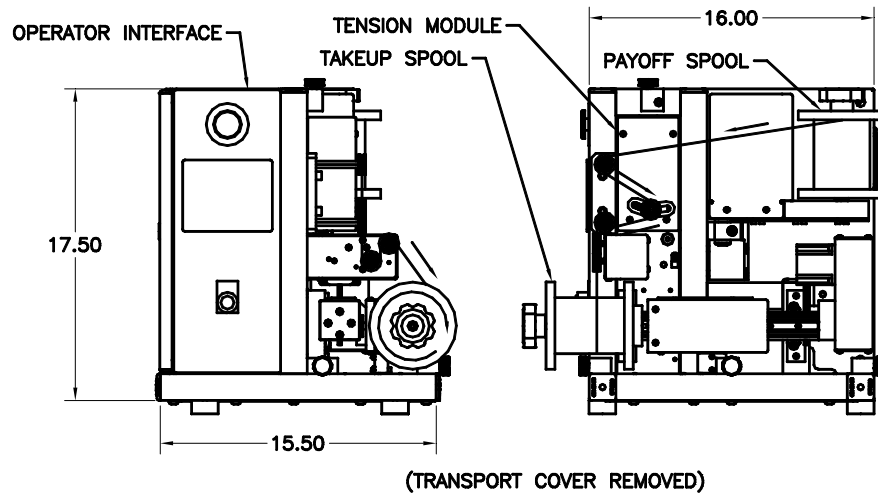


## DESKTOP RESPOOLER SPEC



### SPECIFICATIONS:

- SPOOL SIZE: DIN 125 Maximum
- INPUT POWER: 120 VAC, single phase with ground, 50/60 Hz.
- WEIGHT: 75 pounds.
- DIMENSIONS: 15.5 inches wide X 16 inches long X 17.5 inches tall.
- WIND SPEED: The maximum recommended wind speed is 500 RPM. The estimated Take Up Speed accuracy is +/- 5 RPM at these recommended maximum wind speeds.
- TRAVERSE SPEED: The maximum recommended traverse speed is 0.19 ips assuming .015" filament diameter and a maximum recommended Take Up Spool rotation speed of 500 RPM.
- TRAVERSE PITCH: Pitch accuracy is estimated to be +/- .0005".
- TENSION: Configurable ranges up to 600 g max with a 2% variance from full scale
- COMPLIANCE: Built per NFPA-79 standards.

### FEATURES:

- Programmable logic controller (PLC) will be used to run all of the wind programs
- DC motors are used to control the Supply and Take Up Spools.
- Filament tension is provided by a moveable extension spring inside the dancer assembly. A Stepper Motor drives a lead screw to change the spring extension and effect filament tension through the dancer arm. A dancer arm and pulley combination is part of the filament path. A load cell is used to monitor the filament tension, which is also in the filament path.
- A Stepper Motor is used to control the position of the Take Up Spool Traverse Actuator
- A touch screen and LCD display are used to control machine functions.
- A lighted stop/start push, system power switch, & E-Stop Button
- Transport cover
- Specifications are subject to change without notice