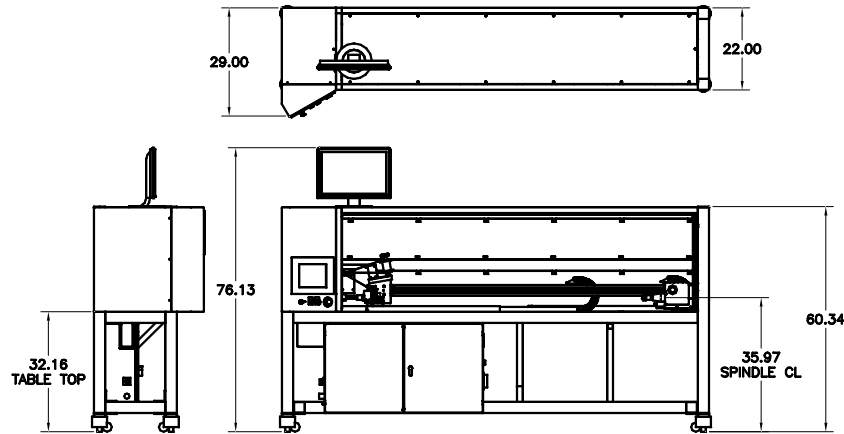


## SINGLE FILAR SINGLE HEAD COIL WINDER SPEC



### SPECIFICATIONS:

- INPUT POWER: 208-240 VAC, single phase, 50/60 Hz. Full load 16A, 20A service
- WEIGHT: 1,100 pounds
- DIMENSIONS: L x W x H = 115" x 29" x 76" (with monitor)
- MANDREL SIZE: .250" diameter Max
- TRAVEL: Adjustable zero to 75" (190cm) with suitable winding accessories
- FILAMENT SIZE: .0004" to .015" round solid or tube, or ribbon, metal or plastic
- WIND SPEED: Up to 85 RPS and 10 in/sec Traverse Speed
- FILAMENT TENSION: Configurable ranges from 5 g min up to 500 g max
- MANDREL TENSION: Configurable ranges from 45 g min up to 20 kg max
- MANDREL LENGTH: Adjustable from 54 to 198 centimeters (21" to 78")
- OPTIONAL ANGLE CONTROL: +10 / -30 degrees with +/- 0.02 degree resolution
- COMPLIANCE: Built to CE and NFPA 79 standards

### FEATURES:

- Winds stacked (tight pitch) or loose (variable or fixed pitch) coils on a spinning mandrel.
- Right chuck position can be adjusted to get variable mandrel lengths.
- Mandrel length is part of the recipe setting and travel is limited accordingly.
- Up to 250 process recipes can be stored and shared between the two wind heads.
- Recipe edit menu allows up to 30 repeating combinations of any pitch, angle, direction, speed, tension and length.
- Recipe steps can ramp pitch between set points (plus angle ramp with vision option).
- Displays of parameter set points and actual values.
- Records of mean & 2xSTD deviation of all measured variables on each wind.
- Filament slack control that maintains tension at all wind speeds.
- Brushless servo drives on traverse and both ends of mandrel (no back shaft).
- Alphanumeric color touchscreen display for program entry and status displays.
- Acrylic enclosure panels with light curtain to isolate each winder operation.
- Ethernet communication for remote monitoring & program update capability.
- Color monitor display of B/W vision-based angle measurement (vision option only).
- DIN 125 filament Supply Spool Capable
- Expandable to 200" of Traverse Travel

Specifications are subject to change without notice