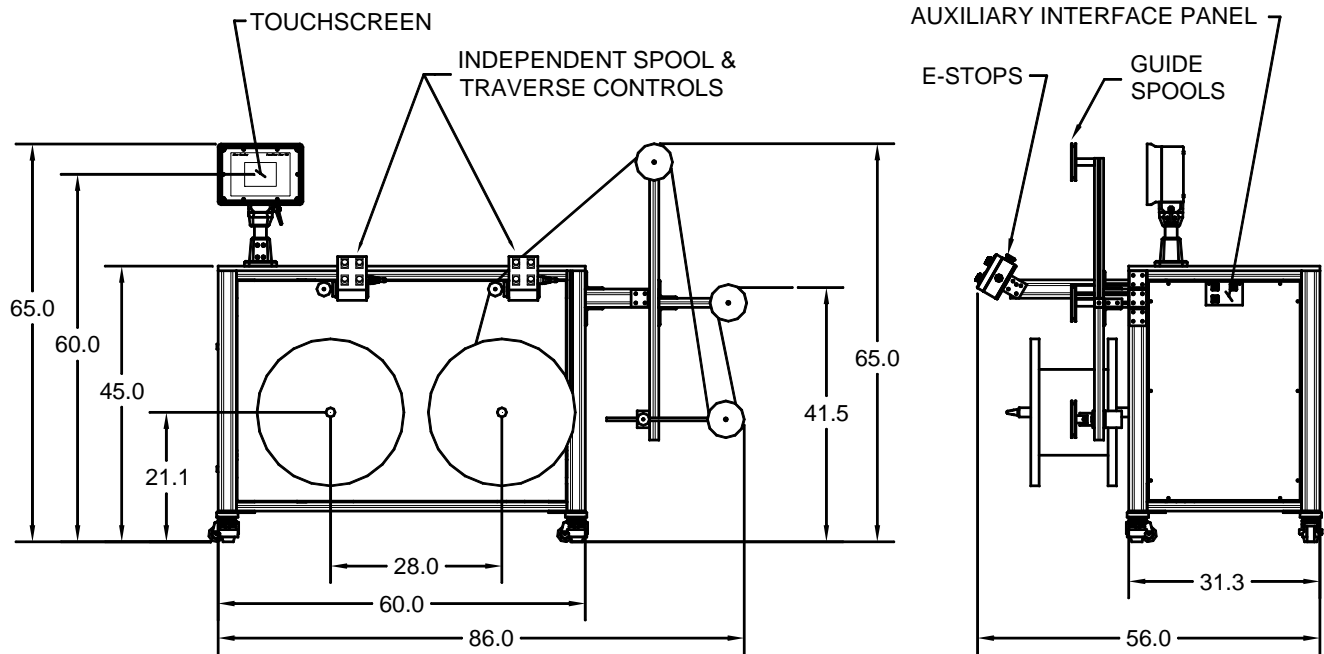


## DOUBLE SPOOLER SPEC



### SPECIFICATIONS:

- MATERIAL: Metal or plastic from .03" to .25" diameter
- DIMENSIONS: 86" wide, 56" deep, 65" high.
- WEIGHT: 875 pounds.
- SPEED: Linear process speed up to 300 feet/min (0 to 225 RPM spool speed).
- TAKEUP SPOOLS: Up to 24" diameter & up to 12" wide with mandrel of 1.5" dia.
- WINDING GUIDES: 12" travel with pitch linked to the rotation of the spool.
- POWER: 208 VAC/3P/20 service (16 amps full load).
- COMPLIANCE: Built to NFPA-79 and CE standards.
- SPOOL WEIGHING: Standard 100 lb max with higher capacity optional.
- WIND TENSION: Adjustable ¼ - 30 lb.

### FEATURES:

- Two independent spool drives with speed override controls on each traverse.
- Two independent traverse drives with separate positioning controls.
- Two independent Load cells in spool heads with tare feature to weigh material.
- Lighted color alphanumeric operator display with touchscreen data entry.
- Machine operation parameters set through the operator interface.
- Uses any size supply spool up to the maximum limit by changing the spool mandrel.
- Material is guided front to back as the spool turns for a precise level wrap.
- Revised configurations and specs can be accommodated per customer requirements.
- The operator can quickly & easily make all common setup adjustments.
- Full and complete operator manual includes parts list and electrical schematic.
- Accessory outlet for 110 VAC at 6 amps can be used for optional air ionizer.
- Specifications are subject to change without notice