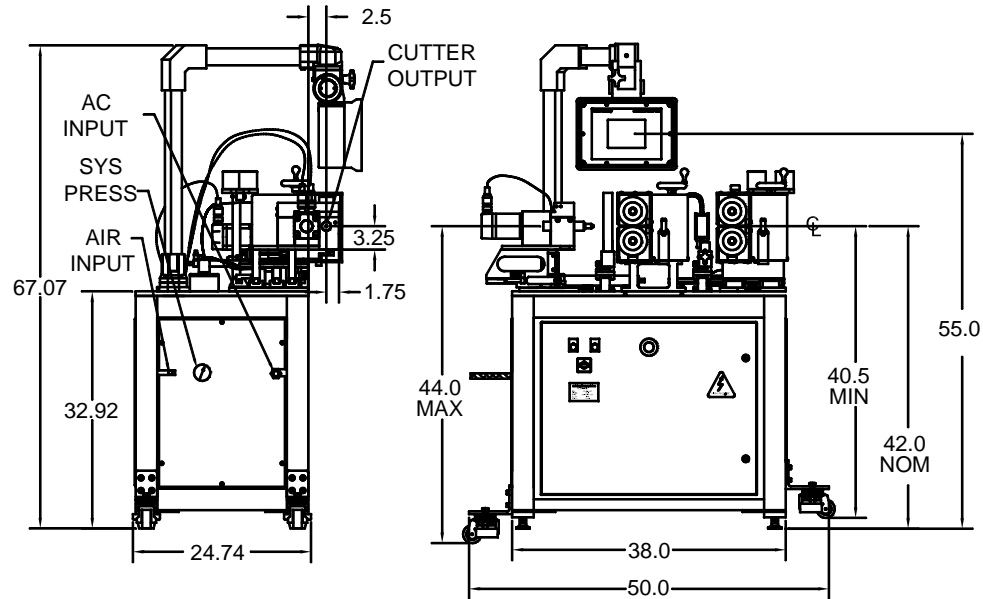




AUTOMATIC EXTRUSION BUMP PULLER



SPECIFICATIONS:

- INPUT POWER: 208-250 VAC, single phase with ground & neutral. 50/60 Hz.
- WEIGHT: 600 pounds.
- DIMENSIONS: 38" long, 28" deep, 72" high. 42.5" to 45.0" product transfer height.
- PRODUCT SIZE: Designed for product outer diameters from .02" to .38".
- Different diameters can be accommodated.
- SPEED: Bump process speed up to 250 FPM.
- CUT LENGTH: Any length, depending on line speed.
- BUMP PROFILE CONTROL: Base dia, bump dia, bump length & taper transitions.
- BUMP MEASUREMENT: Non-contact in .06" increments at 30 FPM.
- BUMP SIZE COMPENSATION: Iterative automatic size adjustment to programmed size.
- COMPLIANCE: Built per NFPA-79 and CE.

FEATURES:

- Color touch-screen interface pivots and tilts to accommodate any operator.
- All machine operation parameters set through the touch-screen.
- Bump measurements are sensed with a laser micrometer or vision camera
- The bump target dimensions are set through the main touch screen.
- As the bump passes the sensor the dimensions are sent to the PLC.
- Bump forming variables are automatically adjusted in response to the measured size
- E-stop located on operator panel. Additional E-stops can be added.
- Guides upstream of the pinch belt sets are adjustable for gap & position.
- Pinch belt gap is adjustable with a hand crank on top of the drive cover.
- Brushless servos used for the puller belt drive and the cutter.
- Flying knife cutter with blade arm lock to ease blade changing
- Blade can be changed without stopping the machine.
- Pull tensions up to 30 pounds accommodated.
- Specifications are subject to change without notice.