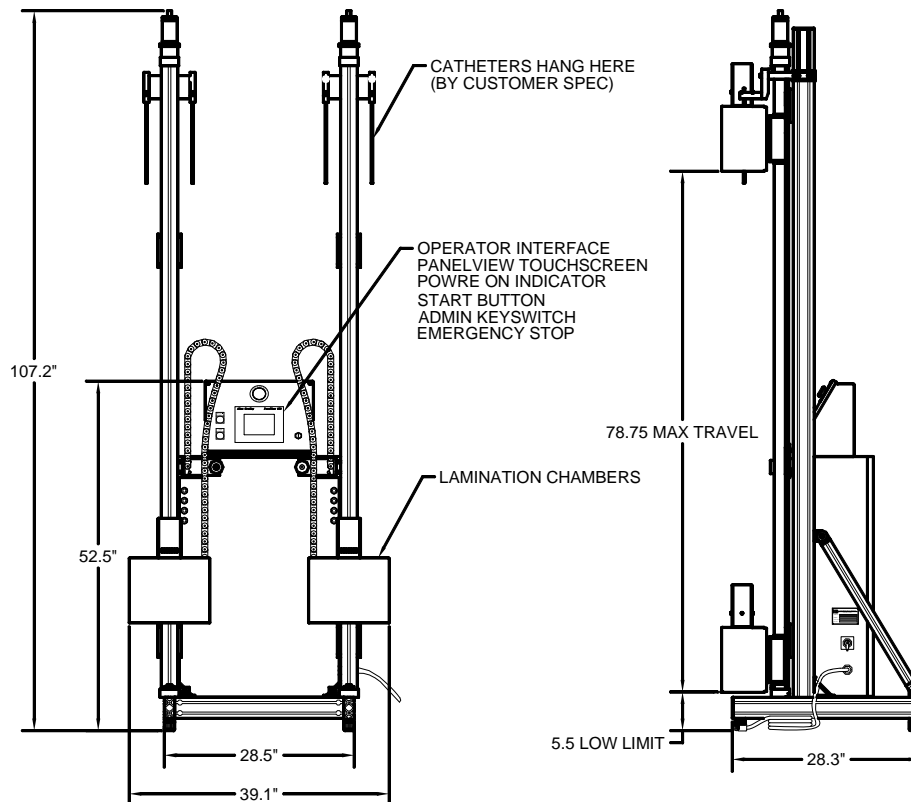


CATHETER LAMINATOR SPECS



SPECIFICATIONS

- INPUT POWER: 208-240 VAC, single phase, 50/60 Hz. Full load current draw is 16A.
- WEIGHT: 720 lbs.
- DIMENSIONS: 52" wide X 110" tall X 30" deep (32" with door handles). Door clearance is 24"
- PRODUCT SIZE: .010 to .188" diameter, 65 to 72" long.
- SAFETY: This machine complies with all NFPA'79 electrical standards and meets CE safety, wiring and emissions standards. This machine is CE certified for international use.
- MANDREL MOUNTING: By tapered fitting (no vacuum).

RANGE & ACCURACY

- Minimum/Maximum temperature 100 deg F - 650 deg F.
- Temperature tolerance/error/accuracy +/- 5 deg C.
- Minimum/Maximum speed 0.1 cm/sec. - 12.0 cm/sec.
- Speed tolerance/error/accuracy +/- 0.012 cm/sec (0.1% of Max speed)
- Minimum/Maximum Distance 0 cm - 200cm.
- Distance tolerance/error/accuracy +/- 0.013 cm (0.005 inch)

FEATURES

- The two vertical actuators each support a double lamination chamber assembly and move parallel to the suspended catheter (total of 4 lamination areas).
- Multiple speeds in multiple ranges per stored recipes.
- Lamination chamber assemblies maintaining constant temperature per recipe setting.
- Long heating chamber results in process speeds up to 10X as fast as forced air types.
- Temperature difference between each side of a given chamber minimized by mixing the air through a central heater.
- A programmable logic controller (PLC) is used to run all of the stored lamination programs.
- A color touchscreen makes machine operation and recipe entry quick and easy.
- Specifications are subject to change without notice.