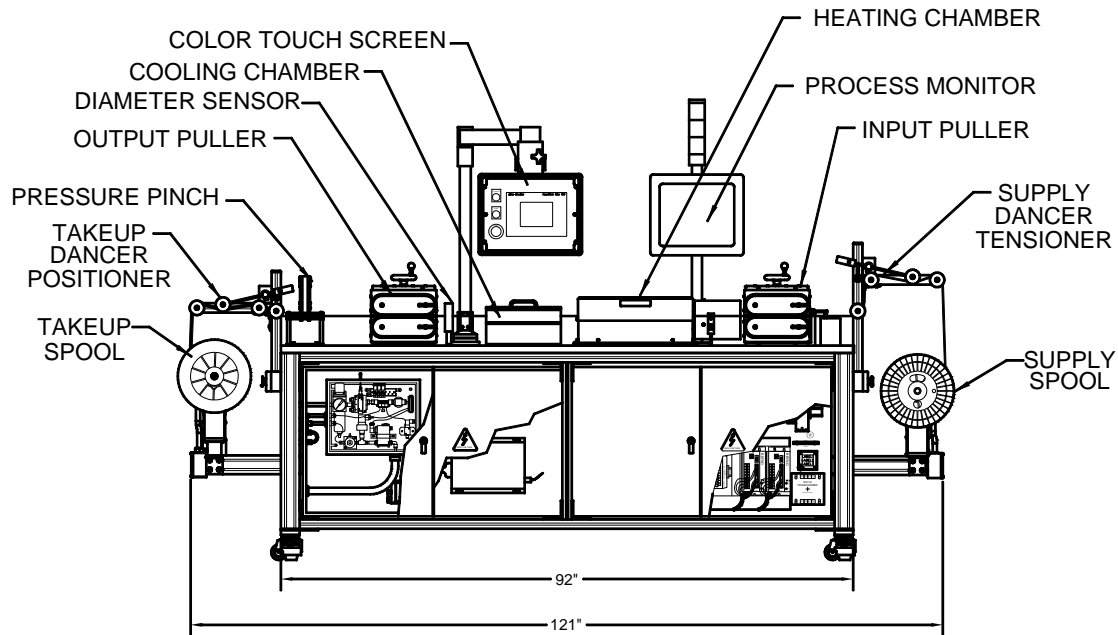




# HEAT-SHRINK TUBING EXPANDER



## SPECIFICATIONS:

- INPUT POWER: 208-250 VAC, single phase with ground. 50/60 Hz.
- WEIGHT: 900 pounds.
- DIMENSIONS: 121" long, 24" deep, 74" high. 40" product transfer height.
- COMPRESSED AIR: 100 PSI clean, dry air or up to 300 PSI nitrogen.
- PRODUCT SIZE: Designed for product outer diameters from .01" to .38". Different diameters can be accommodated.
- SPEED: 1- 100 FPM set through the product recipe.
- HEATING CHAMBER: Programmable recirculated hot air up to 600°F
- COOLING CHAMBER: Programmable ambient to freezing by air vortex cooler.
- DIAMETER MEASUREMENT: Laser gauging accuracy of .00002 inch.
- DIAMETER COMPENSATION: Holds size +/- .0002" depending on product.
- PRESSURE ADJUSTMENT: Programmable 0-300 PSI +/- 0.1 PSI.
- COMPLIANCE: Built per NFPA-79 and CE standards.

## FEATURES:

- Color touch-screen pivots and tilts to accommodate any operator.
- All machine operation parameters set in recipes through the touch-screen.
- Diameter measurements are sensed with a laser micrometer.
- Closed-loop pressure control maintains diameter.
- E-stops located along the flow path.
- Tubing can be sealed off by a pressure pinch for burst repair.
- Pinch belt gap is adjustable with a hand crank on top of the drive cover.
- Brushless servos used for the puller belt drives and all belts are driven.
- Allen-Bradley PLC for control and industrial PC for data display.
- Specifications are subject to change without notice.